

DATA SHEET

TZA3005 **SDH/SONET STM1/OC3 and** **STM4/OC12 transceiver**

Objective specification
File under Integrated Circuits, IC19

1997 Aug 05

SDH/SONET STM1/OC3 and STM4/OC12 transceiver

TZA3005

FEATURES

- Supports STM1/OC3 (155.52 Mb/s) and STM4/OC12 (622.08 Mb/s)
- Supports 19.44, 38.88, 51.84 and 77.76 MHz reference clock frequencies
- Meets Bellcore, ANSI and ITU-T specifications
- Integral high-frequency PLL for clock generation
- Interface to TTL logic
- Low jitter PECL (Positive Emitter Coupled Logic) interface.
- 4- or 8-bit STM1/OC3 TTL/CMOS data path
- 4- or 8-bit STM4/OC12 TTL/CMOS data path
- No external filter components required
- QFP64 package
- Diagnostic and line loopback modes
- Lock detect
- LOS (Loss of Signal) input
- Low power (900 mW typically)

APPLICATIONS

- SDH/SONET modules
- SDH/SONET-based transmission systems
- SDH/SONET test equipment
- ATM over SDH/SONET
- Add drop multiplexers
- Broadband cross-connects

- Section repeaters
- Fiber optic test equipment.
- Fiber optic terminators

GENERAL DESCRIPTION

The TZA3005 SDH/SONET transceiver chip is a fully integrated serialization/deserialization SDH/SONET STM4/OC12 (622.08 Mb/s) and STM1/OC3 (155.52 Mb/s) interface device. It performs all necessary serial-to-parallel and parallel-to-serial functions in accordance with SDH/SONET transmission standards. It is suitable for SONET-based applications and can be used in conjunction with the TZA3004 clock recovery device, the TZA3000 optical receiver and the TZA3001 laser driver. Figure 13 shows a typical network application.

A high-frequency phase-locked loop is used for on-chip clock synthesis, which means a slower external transmit reference clock can be used. A 19.44, 38.88, 51.84 or 77.76 MHz reference clock can be used, in support of existing system clocking schemes. The TZA3005 performs SDH/SONET frame detection.

The low jitter PECL interface ensures that Bellcore, ANSI, and ITU-T bit-error rate requirements are satisfied. The TZA3005 comes in a compact QFP64 package.

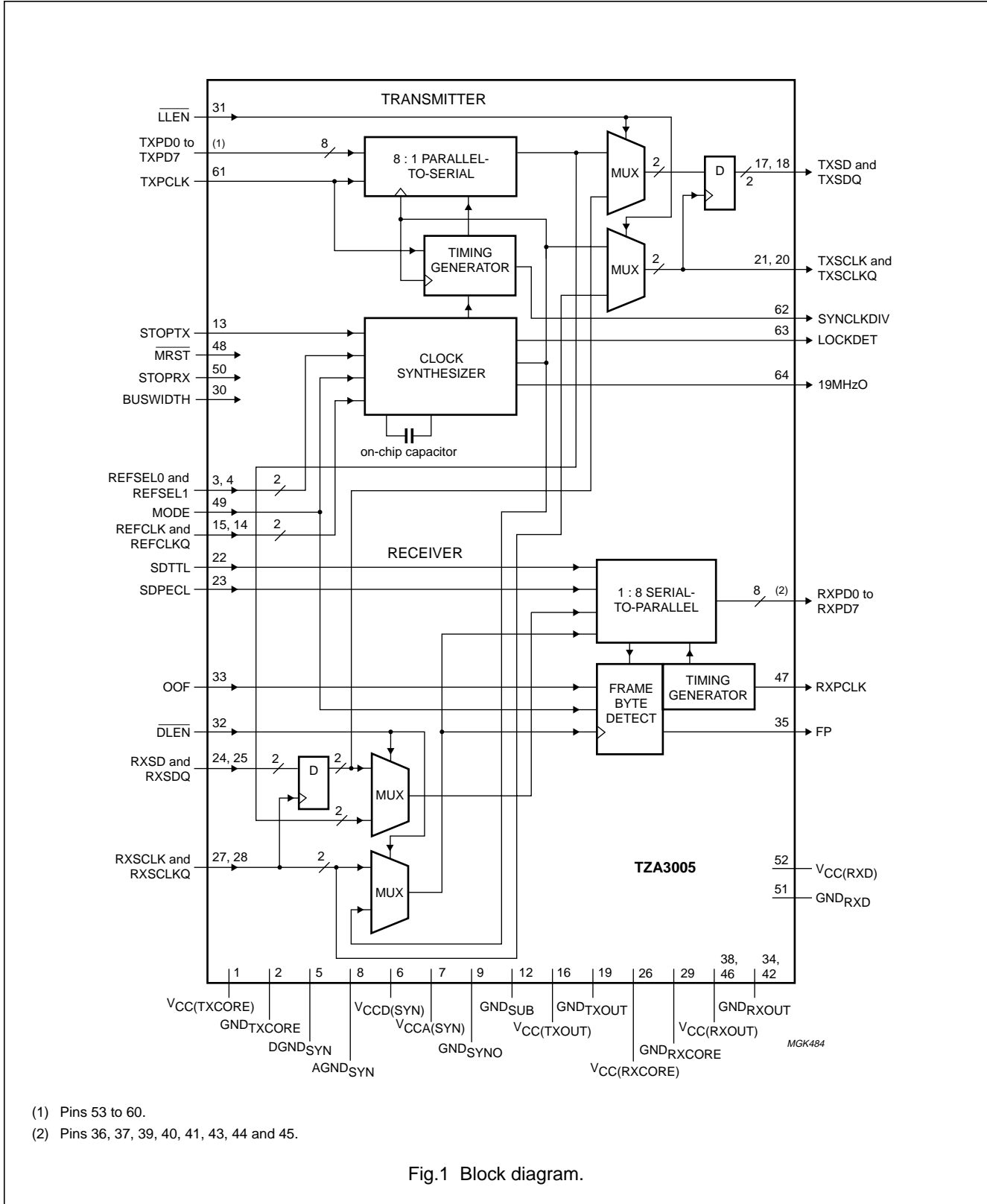
ORDERING INFORMATION

TYPE NUMBER	PACKAGE		
	NAME	DESCRIPTION	VERSION
TZA3005H	QFP64	plastic quad flat package; 64 leads (lead length 1.6 mm); body 14 × 14 × 2.7 mm	SOT393-1

SDH/SONET STM1/OC3 and
STM4/OC12 transceiver

TZA3005

BLOCK DIAGRAM



- (1) Pins 53 to 60.
- (2) Pins 36, 37, 39, 40, 41, 43, 44 and 45.

Fig.1 Block diagram.

SDH/SONET STM1/OC3 and STM4/OC12 transceiver

TZA3005

PINNING

SYMBOL	PIN	TYPE ⁽¹⁾	DESCRIPTION
V _{CC(TXCORE)}	1	S	supply voltage (transmitter core)
GND _{TXCORE}	2	S	ground (transmitter core)
REFSEL0	3	I	reference clock select input 0
REFSEL1	4	I	reference clock select input 1
DGND _{SYN}	5	S	digital ground (synthesizer)
V _{CCD(SYN)}	6	S	digital supply voltage (synthesizer)
V _{CCA(SYN)}	7	S	analog supply voltage (synthesizer)
AGND _{SYN}	8	S	analog ground (synthesizer)
GND _{SYNO}	9	S	ground (synthesizer output)
STOPSYN	10	I	test input : synthesizer section shut down
RSTRX	11	I	test input : reset receive logic
GND _{SUB}	12	S	ground (substrate)
STOPTX	13	I	test input : transmit section shut down
REFCLKQ	14	I	inverted reference clock input
REFCLK	15	I	reference clock input
V _{CC(TXOUT)}	16	S	supply voltage (transmitter output)
TXSD	17	O	serial data output
TXSDQ	18	O	inverted serial data output
GND _{TXOUT}	19	S	ground (transmitter output)
TXSCLKQ	20	O	inverted serial clock output
TXSCLK	21	O	serial clock output
SDTTL	22	I	TTL signal detect input
SDPECL	23	I	PECL signal detect input
RXSD	24	I	serial data input
RXSDQ	25	I	inverted serial data input
V _{CC(RXCORE)}	26	S	supply voltage (receiver core)
RXSCLK	27	I	serial clock input
RXSCLKQ	28	I	inverted serial clock input
GND _{RXCORE}	29	S	ground (receiver core)
BUSWIDTH	30	I	4/8 bus width select input
LLEN	31	I	line loopback enable input (active LOW)
DLEN	32	I	diagnostic loopback enable input (active LOW)
OOF	33	I	out of frame enable input
GND _{RXOUT}	34	S	ground (parallel output)
FP	35	O	frame pulse output
RXPD0	36	O	parallel data output 0
RXPD1	37	O	parallel data output 1
V _{CC(RXOUT)}	38	S	supply voltage (parallel output)
RXPD2	39	O	parallel data output 2
RXPD3	40	O	parallel data output 3

SDH/SONET STM1/OC3 and STM4/OC12 transceiver

TZA3005

SYMBOL	PIN	TYPE ⁽¹⁾	DESCRIPTION
RXPD4	41	O	parallel data output 4
GND _{RXOUT}	42	S	ground (receiver output)
RXPD5	43	O	parallel data output 5
RXPD6	44	O	parallel data output 6
RXPD7	45	O	parallel data output 7
V _{CC(RXOUT)}	46	S	supply voltage (receiver output)
RXPCLK	47	O	receive parallel clock output
MRST	48	I	master reset (active LOW)
MODE	49	I	serial data rate select STM1/STM4
STOPRX	50	I	receiver section shut down
GND _{RXD}	51	S	ground (receiver digital section)
V _{CC(RXD)}	52	S	supply voltage (receiver digital section)
TXPD0	53	I	parallel data input 0
TXPD1	54	I	parallel data input 1
TXPD2	55	I	parallel data input 2
TXPD3	56	I	parallel data input 3
TXPD4	57	I	parallel data input 4
TXPD5	58	I	parallel data input 5
TXPD6	59	I	parallel data input 6
TXPD7	60	I	parallel data input 7
TXPCLK	61	I	transmit parallel clock input
SYNCLKDIV	62	O	transmit byte/nibble clock output (synchronous)
LOCKDET	63	O	lock detect
19MHzO	64	O	19 MHz output reference clock

Note

1. Pin type abbreviations: O = Output, I = Input, S = power Supply.

SDH/SONET STM1/OC3 and
STM4/OC12 transceiver

TZA3005

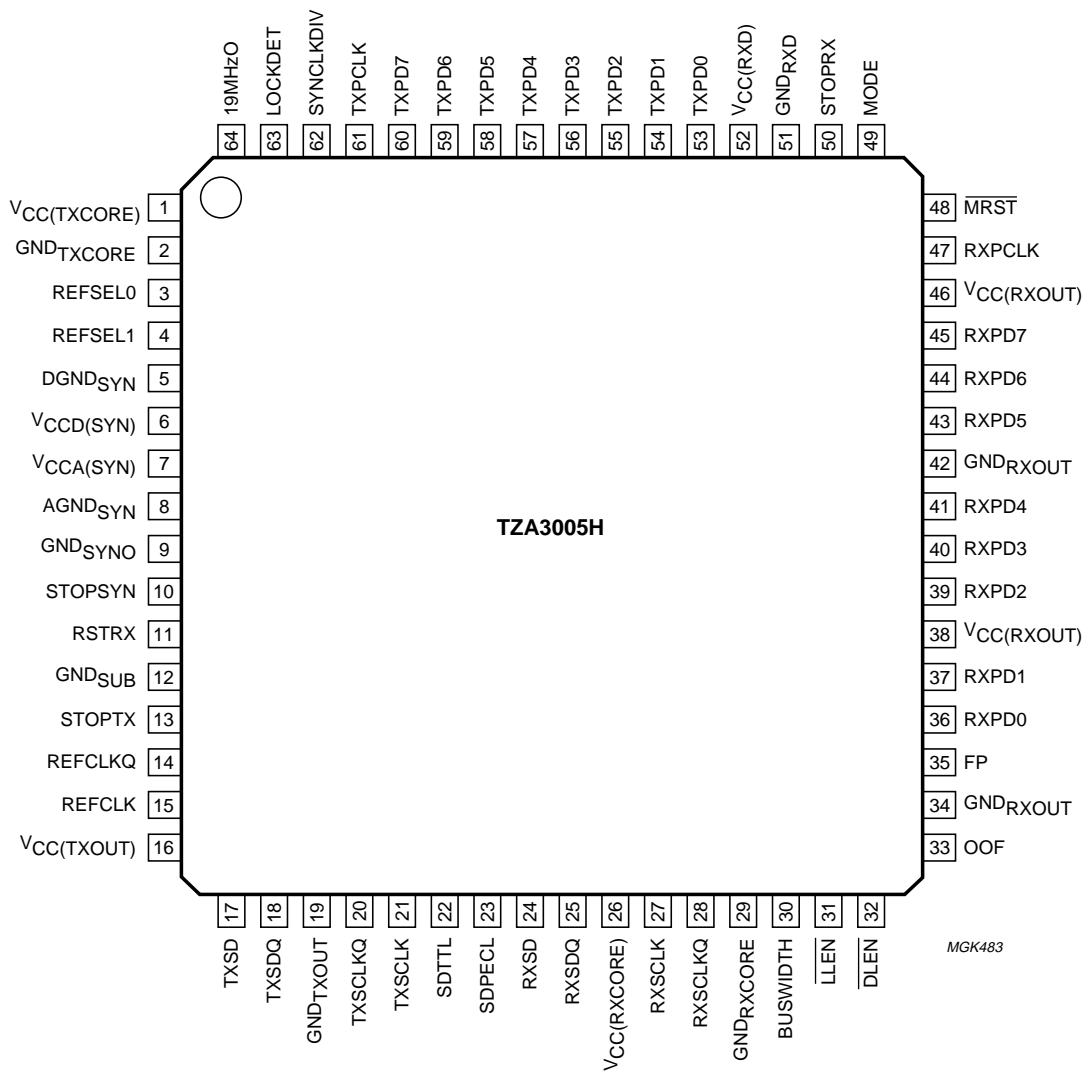


Fig.2 Pin configuration.

SDH/SONET STM1/OC3 and STM4/OC12 transceiver

TZA3005

FUNCTIONAL DESCRIPTION

Introduction

The TZA3005 transceiver implements SDH/SONET serialization/deserialization, transmission and frame detection/recovery functions. The block diagram in Fig.1 illustrates the basic operation of the chip. The TZA3005 can be used to implement the front-end of SONET equipment, which consists primarily of the serial transmit and receive interfaces. The chip handles all the functions of these two elements, including parallel-to-serial and serial-to-parallel conversion, clock generation, and system timing. The system timing circuitry handles data stream management, framing, and clock distribution throughout the front-end.

The TZA3005 is divided into a transmitter section and a receiver section. The sequence of operations is as follows:

- Transmitter operations:
 - 4- or 8-bit parallel input
 - Parallel-to-serial conversion
 - Serial output
- Receiver operations:
 - Serial input
 - Frame detection
 - Serial-to-parallel conversion
 - 4- or 8-bit parallel output.

Internal clocking and control functions are transparent to the user. Details of data timing can be found in Figs 3 to 9.

Transmitter operation

The TZA3005 transceiver chip performs the serializing stage in the processing of a transmit STM1/OC3 or STM4/OC12 serial bitstream. It converts the byte serial 19.44, 38.88 or 77.76 Mbytes/s data stream to bit serial format at 155.52 or 622.08 Mb/s. Diagnostic loopback is provided (transmitter to receiver). Line loopback is also provided (receiver to transmitter).

An integral frequency synthesizer, consisting of a phase-locked loop with a divider in the loop, can be used to generate a high-frequency bit clock from a 19.44, 38.88, 51.84 or 77.76 MHz reference frequency.

CLOCK SYNTHESIZER

The serial output clock is generated by the clock synthesizer (see Fig.1). This signal is phase synchronized with the input reference clock (REFCLK). Two output clock frequencies are available, synthesized from any of four SDH/SONET reference frequencies.

The MODE input is used to select the serial output clock frequency: 622.08 MHz for STM4/OC12 or 155.52 MHz for STM1/OC3 (see Table 1).

Table 1 Clock frequency options

MODE	OUTPUT CLOCK FREQUENCY	OPERATING MODE
1	622.08 MHz	STM4/OC12
0	155.52 MHz	STM1/OC3

Table 2 Suggested interface devices

MANUFACTURER	TYPE	DATA RATE (Mbits/s)	FUNCTION
Philips	TZA3004	622 or 155	clock recovery
	TZA3000	622	optical receiver
	TZA3001	622	laser driver
	SA5225	155	limiting amplifier
	SA5223	155	transimpedance amplifier
PMC-Sierra	PM5312	155 or 622	transport terminal transceiver
	PM5355	622	Saturn user network interface

SDH/SONET STM1/OC3 and STM4/OC12 transceiver

TZA3005

The REFSEL0 and REFSEL1 inputs, in combination with the MODE input, select the ratio between the output clock frequency and the reference input frequency (see Table 3). This ratio is adjusted for each of the four options so that the reference frequency selected by REFSEL0 and REFSEL1 is the same for all operating modes.

To ensure the TXSCLK frequency is accurate enough to operate in a SONET system, the REFCLK input must be generated from a differential PECL crystal oscillator with a frequency accuracy better than 4.6 ppm for compliance with "ITU G.813 (option 1)", or 20 ppm for "ITU G.813 (option 2)".

The maximum value specified for reference clock jitter must be guaranteed over the a 12 kHz to 1 MHz bandwidth in order to comply with SONET jitter requirements (see Table 4).

The on-chip PLL contains a phase detector, a loop filter and a VCO. The phase detector compares the phases of the output and REFCLK input signals. The loop filter converts the phase detector output into a smooth DC voltage that is used to vary the VCO frequency.

The VCO control voltage generated by the loop filter is referenced to the average DC level in the output pulse train generated by the phase discriminator. The corner frequency is optimized to minimize output phase jitter.

Table 3 Reference frequency options

REFSEL0	REFSEL1	INPUT CLOCK FREQUENCY
0	0	19.44 MHz
0	1	38.88 MHz
1	0	51.84 MHz
1	1	77.76 MHz

Table 4 Reference jitter limits

MAXIMUM REFERENCE CLOCK JITTER IN 12 kHz TO 1 MHz BAND	OPERATING MODE
84 ps (p-p)	STM4/OC12
336 ps (p-p)	STM1/OC3

TIMING GENERATOR

The timing generator performs two functions. It provides a byte rate version of the TXSCLK along with a mechanism for phase aligning the incoming byte clock and the clock that loads the parallel-to-serial shift register.

The SYNCLKDIV output is a byte rate version of TXSCLK. For STM4/OC12, the SYNCLKDIV frequency is 77.76 or 155.52 MHz and for STM1/OC3, it is 19.44 or 38.88 MHz. SYNCLKDIV is intended for use as a byte speed clock for upstream multiplexing and overhead processing circuits. Using SYNCLKDIV for upstream circuits will ensure a stable frequency and phase relationship is maintained between the data entering and leaving the TZA3005.

For parallel-to-serial conversion, the parallel input data is transferred from the TXPCLK byte clock timing domain to the internally generated byte clock timing domain, which is phase aligned to TXPCLK.

The timing generator also produces a feedback reference clock for the clock synthesizer. A counter divides the synthesized clock down to the same frequency as the reference clock REFCLK. The PLL in the clock synthesizer maintains the stability of the synthesized clock by comparing the phase of the feedback reference clock with that of the reference clock (REFCLK). The modulus of the counter is a function of the reference clock frequency and the operating frequency.

PARALLEL-TO-SERIAL CONVERTER

The parallel-to-serial converter shown in Fig.1 contains two byte-wide registers. The first register latches the data from the parallel bus (TXPD0 to TXPD7) on the rising edge of TXPCLK. The second register is a parallel loading shift register which takes its input from the first register.

The parallel data transfer is controlled by an internally generated byte clock, which is phase aligned with the transmit serial clock (see Section "Timing generator"). The TXSCLK signal is used to shift the serial data out of the second register.

Receiver operation

The TZA3005 transceiver chip performs the first stage in the digital processing of a STM1/OC3 or STM4/OC12 serial bitstream. It converts the 155.52 or 622.08 Mb/s data stream into a 19.44 or 77.76 Mbytes/s serial format. In nibble mode, a parallel data stream of 38.88 or 155.52 MHz is generated. Diagnostic (transmitter to receiver) and line (receiver to transmitter) loopback modes are provided.

FRAME AND BYTE BOUNDARY DETECTION

The frame and byte boundary detection circuitry searches the incoming data for three consecutive A1 bytes followed immediately by three consecutive A2 bytes. Framing

SDH/SONET STM1/OC3 and STM4/OC12 transceiver

TZA3005

pattern detection is enabled and disabled by the Out-Of-Frame (OOF) input. Detection is enabled by a rising edge on OOF, and remains enabled while OOF is HIGH. It is disabled when a framing pattern is detected and OOF is no longer HIGH. When framing pattern detection is enabled, the framing pattern is used to locate byte and frame boundaries in the incoming data stream (Receive Serial Data (RXSD) or looped transmitter data). The timing generator block uses the located byte boundary to divide the incoming data stream into bytes for output on the parallel output data bus (RXPDP0 to RXPDP7). When a 48-bit pattern matching the framing pattern is detected, the frame boundary is signalled on the Frame Pulse (FP) output. When framing pattern detection is disabled, the byte boundary is frozen. Only framing patterns aligned to the fixed byte boundary are signalled on the FP output.

It is extremely unlikely that random data in an STM1/OC3 or STM4/OC12 data stream will replicate the 48-bit framing pattern. Therefore, the time taken to detect the beginning of the frame should be less than 250 μ s (as specified in "ITU G.783"), even for extremely high bit error rates.

Once down-stream overhead circuitry has verified that frame and byte synchronization are correct, the OOF input can be set LOW to prevent the frame search process trying to synchronize to a mimic frame pattern.

SERIAL-TO-PARALLEL CONVERTER

A delay of between 1.5 and 2.5 byte periods (or 12 to 20 serial bit periods measured from the first bit of an incoming byte to the beginning of the parallel output of that byte) occurs in the serial-to-parallel converter. The variation in the delay depends on the alignment of the internal parallel load timing, which is synchronized to the data byte boundaries, with respect to the falling edge of RXPCLK, which is independent of the byte boundaries. RXPCLK is neither truncated nor extended during reframe sequences.

Transceiver pin descriptions

TRANSMITTER INPUT SIGNALS

Parallel data inputs (TXPD0 to TXPD7)

This is a 19.44, 38.88, 77.76 or 155.52 Mbytes/s TTL level word, aligned to the TXPCLK parallel input clock. TXPD7 is the most significant bit (corresponding to bit 1 of each PCM word, the first bit transmitted). TXPD0 is the least significant bit (corresponding to bit 8 of each PCM word, the last bit transmitted). TXPD0 to TXPD7 are sampled on the rising edge of TXPCLK. If a 4-bit bus width is selected,

TXPD7 is the most significant bit and TXPD4 is the least significant bit.

Parallel clock input (TXPCLK)

This is a 19.44, 38.88, 77.76 or 155.52 MHz nominally 50% duty factor TTL level input clock, to which TXPD0 to TXPD7 are aligned. TXPCLK is used to transfer the data on the inputs to a holding register in the parallel-to-serial converter.

The rising edge of TXPCLK samples TXPD0 to TXPD7. After a master reset, one rising edge of TXPCLK is required to fully initialize the internal data path.

RECEIVER INPUT SIGNALS

Receive Serial Data (RXSD and RXSDQ)

These differential PECL serial data input signals are normally connected to an optical receiver module or to the TZA3004 data and clock recovery unit, and are clocked by the RXSCLK and RXSCLKQ inputs.

Receive serial clock (RXSCLK and RXSCLKQ)

This differential PECL recovered clock signal is synchronized to the RXSD inputs. It is used by the receive section as the master clock for framing and deserialization functions.

Out-Of-Frame (OOF)

This TTL level indicator is used to enable framing pattern detection logic in the TZA3005. The framing pattern detection logic is enabled by a rising edge on OOF, and remains enabled until a frame boundary is detected or OOF goes LOW. OOF is an asynchronous signal with a minimum pulse width of one RXPCLK period (see Figs 3 and 9).

Signal Detect PECL (SDPECL)

This is a PECL signal with an internal pull-down resistor. It is active HIGH when SDTTL is at logic 0 and active LOW when SDTTL is at logic 1. This single-ended 10K PECL input is driven by the external optical receiver module to indicate a loss of received optical power (Loss of Signal). When SDPECL is inactive, the data on the serial data input pins (RXSD and RXSDQ) will be internally forced to a constant zero. When SDPECL is active, data on the RXSD and RXSDQ pins will be processed normally.

When SDTTL is to be connected to the optical receiver module instead of SDPECL, SDPECL should be tied HIGH to implement an active LOW signal detect, or left unconnected to implement an active HIGH signal detect.

SDH/SONET STM1/OC3 and STM4/OC12 transceiver

TZA3005

Signal Detect TTL (SDTTL)

This is a TTL signal with an internal pull-up resistor. It is active HIGH when SDPECL is unconnected (logic 0), active LOW when SDPECL is at logic 1. This single-ended TTL input is driven by the external optical receiver module to indicate a loss of received optical power. When SDTTL is inactive, the data on RXSD and RXSDQ will be internally forced to a constant zero. When SDTTL is active, data on the RXSD and RXSDQ pins will be processed normally.

Table 5 SDPECL/SDTTL truth table

SDPECL	SDTTL	RXPD OUTPUT DATA
0 or floating	0	0
0 or floating	1 or floating	RXSD input data
1	0	RXSD input data
1	1 or floating	0

COMMON INPUT SIGNALS

Bus width selection (BUSWIDTH)

This TTL signal is used to select 4-bit or 8-bit operation for the transmit and receive parallel interfaces. LOW selects a 4-bit bus width. HIGH selects an 8-bit bus width.

Reference clock (REFCLK and REFCLKQ)

These differential PECL inputs supply the reference clock for the internal bit clock frequency synthesizer.

Diagnostic loopback enable (\overline{DLEN})

This active LOW TTL input selects diagnostic loopback. When \overline{DLEN} is HIGH, the TZA3005 uses the primary data (RXSD) and clock (RXSCLK) inputs. When LOW, the TZA3005 uses the diagnostic loopback clock and data from the transmitter.

Master reset (\overline{MRST})

This is an active LOW TTL level reset input. SYNCLKDIV does not toggle during reset.

Line loopback enable (\overline{LLEN})

This active LOW TTL input selects line loopback. When \overline{LLEN} is LOW, the TZA3005 will route the data from the RXSD and RXSCLK inputs to the TXSD and TXSCLK outputs.

Reference select (REFSEL0 and REFSEL1)

This TTL signal is used to select the reference clock frequency (see Table 3).

Mode select (MODE)

This TTL signal is used to select the serial bit rate. LOW selects 155.52 Mbits/s. HIGH selects 622.08 Mbits/s.

Test inputs (STOBSYN, STOPTH, STOPRX and RSTRX)

These active HIGH TTL signals are used to test internal circuitry during production testing. All must be LOW during normal operation. Internal pull-down resistors will hold all four test pins LOW if not connected.

TRANSMITTER OUTPUT SIGNALS

Transmit clock outputs (TXSCLK and TXSCLKQ)

This differential PECL transmit serial clock output can be used to retime the TXSD signal. The clock will be 622.08 MHz or 155.52 MHz depending on the operating mode.

Transmit Serial Data (TXSD and TXSDQ)

These differential PECL serial data stream signals are normally connected to an optical transmitter module or to the TZA3001 laser driver.

Parallel clock (SYNCLKDIV)

This CMOS reference clock is generated by dividing the internal bit clock by eight (or by four when BUSWIDTH is LOW). It is normally used to coordinate byte-wide transfers between upstream logic and the TZA3005.

Lock detect (LOCKDET)

This is an active HIGH CMOS output. When active, it indicates that the transmit PLL is locked to the reference clock input.

RECEIVER OUTPUT SIGNALS

Parallel outputs (RXPDO to RXPD7)

This is a 19.44, 38.88, 77.76 or 155.52 Mbytes/s parallel CMOS data bus aligned to the parallel output clock (RXPCLK). RXPD7 is the most significant bit (corresponding to bit 1 of each PCM word, the first bit received). RXPDO is the least significant bit (corresponding to bit 8 of each PCM word, the last bit received). RXPDO to RXPD7 are updated on the falling

SDH/SONET STM1/OC3 and STM4/OC12 transceiver

TZA3005

edge of RXPCLK. When a 4-bit bus width is selected, TXPD7 is the most significant bit and bit 4 is the least significant bit.

19 MHz clock output (19MHzO)

This is a 19 MHz CMOS clock output from the clock synthesizer. It should be connected to the reference clock input of the external clock recovery function (such as the TZA3004).

Frame Pulse (FP)

This CMOS output detects frame boundaries in the incoming data stream (RXSD). When framing pattern detection is enabled (see Section "Out-Of-Frame (OOF)"), FP goes HIGH for one cycle of RXPCLK when a 48-bit sequence matching the framing pattern is detected on the RXSD inputs. When framing pattern detection is disabled, FP goes HIGH when, after byte alignment, the incoming data stream matches the framing pattern. FP is updated on the falling edge of RXPCLK.

Parallel output clock (RXPCLK)

This 19.44, 38.88, 77.76 or 155.52 MHz nominally 50% duty factor byte rate output clock (CMOS) is aligned to RXPDP0 to RXPDP7 byte serial output data. RXPDP0 to RXPDP7 and FP are updated on the falling edge of RXPCLK.

Other operating modes

DIAGNOSTIC LOOPBACK

A transmitter-to-receiver loopback mode is available for diagnostic purposes. When DLEN is LOW, the differential serial data output from the transmitter is routed to the serial-to-parallel block in place of the normal data stream (RXSD), at the serial data rate.

LINE LOOPBACK

The line loopback circuitry consists of alternate clock and data output drivers. For the TZA3005, it selects the source of the data and clock signals output on TXSD and TXSCLK. When LLEN is HIGH, it selects data and clock signals from the parallel-to-serial converter block. When LLEN is LOW, it forces the output data multiplexer to select data and clock signals from the RXSD and RXSCLK

inputs, and a receive-to-transmit loopback can be established at the serial data rate. Diagnostic loopback and line loopback can be active at the same time.

Receiver framing

A typical reframe sequence involving byte realignment is shown in Figure 3. Frame and byte boundary detection is enabled on the rising edge on OOF and remains enabled while OOF is HIGH. Boundaries are recognized on receipt of the third A2 byte, the first data byte to be reported with the correct byte alignment on the outgoing data bus (RXPDP0 to RXPDP7). FP goes HIGH for one RXPCLK cycle.

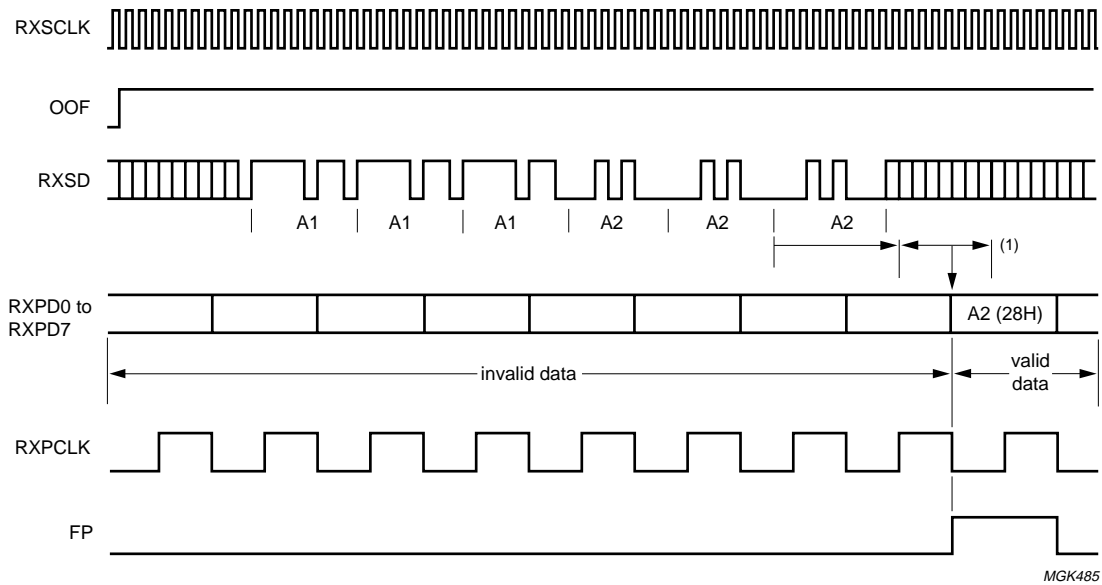
When interfacing with a section terminating device, OOF must remain HIGH for a full frame after the initial frame pulse. This is to allow the section terminating device to verify internally that frame and byte alignment are correct (see Fig.4). Since at least one framing pattern will have been detected since the rising edge of OOF, boundary detection will be disabled when OOF goes LOW.

The frame and byte boundary detection block is activated by a rising edge on OOF, and remains active until an FP pulse occurs AND OOF goes LOW (whichever occurs last). Figure 4 shows a typical OOF timing pattern when the TZA3005 is connected to a down stream section terminating device. OOF remains HIGH for one full frame after the first FP pulse. The frame and byte boundary detection block is active until OOF goes LOW.

Figure 5 shows frame and byte boundary detection activated on the rising edge of OOF, and deactivated by the first FP pulse after OOF goes LOW.

SDH/SONET STM1/OC3 and
STM4/OC12 transceiver

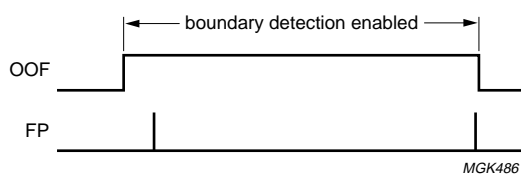
TZA3005



MGK485

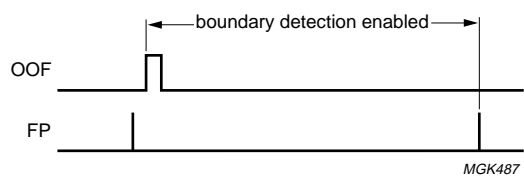
(1) The input-to-output delay will be between 1.5 and 2.5 cycles of RXPCLK.

Fig.3 Frame and byte detection.



MGK486

Fig.4 OOF operating time with PM5312 STTX or PM5355 SUNI-622.



MGK487

Fig.5 Alternate OOF timing.

SDH/SONET STM1/OC3 and STM4/OC12 transceiver

TZA3005

LIMITING VALUES

In accordance with the Absolute Maximum Rating System (IEC 134).

SYMBOL	PARAMETER	MIN.	MAX.	UNIT
V_{CC}	supply voltage	-0.5	+6.5	V
V_n	voltage on any TTL input pin	-0.5	+5.5	V
	any PECL input pin	0	V_{CC}	V
$I_{o(sink)}$	CMOS output sink current	-	8	mA
$I_{o(source)}$	output source current CMOS	-	8	mA
	high speed PECL	-	50	mA
P_{tot}	total power dissipation	-	1.3	W
T_{case}	case temperature under bias	-55	+100	°C
T_j	junction temperature under bias	-55	+125	°C
T_{stg}	storage temperature	-65	+150	°C

THERMAL CHARACTERISTICS

SYMBOL	PARAMETER	VALUE	UNIT
$R_{th(j-a)}$	thermal resistance from junction to ambient; note 1	55	K/W

Note

1. Measured using a standard test board. This value will vary (and could be as low as 33 K/W) depending on the number of board layers, copper area, copper sheet thickness and the proximity of surrounding components.

SDH/SONET STM1/OC3 and STM4/OC12 transceiver

TZA3005

DC CHARACTERISTICS

SYMBOL	PARAMETER	CONDITION	MIN.	TYP.	MAX.	UNIT
General						
V_{CC}	supply voltage	note 1	3.0	–	5.5	V
P_{tot}	total power dissipation	outputs open; $V_{CC} = 5\text{ V}$	–	0.9	1.2	W
TTL Inputs						
V_{IH}	HIGH-level input voltage	$I_{IH} \leq 1\text{ mA}$ at $V_{IH} = 5.5\text{ V}$	2.0	–	5.5	V
V_{IL}	LOW-level input voltage	–	0	–	0.8	V
I_{IH}	HIGH-level input current	$V_I = 2.4\text{ V}$	–10	–	+10	μA
		$V_{CC} = 5.5\text{ V}; V_I = 5.5\text{ V}$	–10	–	+10	μA
I_{IL}	LOW-level input current	$V_I = 0.5\text{ V}$	–10	–	+10	μA
CMOS Outputs						
V_{OH}	HIGH-level output voltage	$V_{CC} = 3.0\text{ V}; I_{OH} = -1\text{ mA}$	2.7	3.0	–	V
V_{OL}	LOW-level output voltage	$V_{CC} = 3.0\text{ V}; I_{OH} = 4\text{ mA}$	–	0.1	+0.5	V
$I_{O(sc)}$	output short-circuit current	$V_{CC} = 5.5\text{ V}; V_O = 0.5\text{ V}$	–	–500	–200	mA
PECL I/O						
V_{IH}	HIGH-level input voltage	note 2	$V_{CC} - 1.17$	–	$V_{CC} - 0.88$	V
V_{IL}	LOW-level input voltage	note 2	$V_{CC} - 1.81$	–	$V_{CC} - 1.48$	V
V_{OH}	HIGH-level output voltage	terminated with $50\ \Omega$ to $V_{CC} - 2.0\text{ V}$	$V_{CC} - 1.1$	$V_{CC} - 1.0$	$V_{CC} - 0.9$	V
V_{OL}	LOW-level output voltage	terminated with $50\ \Omega$ to $V_{CC} - 2.0\text{ V}$	$V_{CC} - 1.8$	$V_{CC} - 1.7$	$V_{CC} - 1.6$	V
$\Delta V_{i(dif)}$	differential input voltage swing for differential PECL inputs	note 2	100	–	1300	mV
ΔV_o	serial output voltage swing	terminated with $50\ \Omega$ to $V_{CC} - 2.0\text{ V}$	600	–	1600	mV

Note

1. A single 5 V supply can be used for all V_{CC} pins. Alternatively, a 3.3 V supply can be used for $V_{CC(RXOUT)}$ and 5 V for the other supply pins. This reduces dissipation. Each supply line ($V_{CC(TXCORE)}$, $V_{CCD(SYN)}$, $V_{CCA(SYN)}$, $V_{CC(TXOUT)}$, $V_{CC(RXCORE)}$, $V_{CC(RXOUT)}$ and $V_{CC(RXD)}$) must be connected to V_{CC} via an EMI line filter.
2. The PECL inputs are high impedance. The transmission lines should be terminated externally using an appropriate termination.

SDH/SONET STM1/OC3 and
STM4/OC12 transceiver

TZA3005

AC CHARACTERISTICS

SYMBOL	PARAMETER	CONDITION	MIN.	TYP.	MAX.	UNIT
General						
$f_{c(VCO)}$	nominal VCO centre frequency		–	622.08	–	MHz
J_o	data output jitter	peak-to-peak value, in lock; note 1	–	–	0.06	UI
$REFCLK_{(tol)}$	reference clock frequency tolerance	required to meet SONET output frequency specification; note 1	–20	–	+20	ppm
δ	reference clock input duty factor		30	–	70	%UI
t_r, t_f	rise/fall time reference clock PECL output	10 to 90% 20% to 80%; 50 Ω load to $V_{CC} - 2.0$ V; 5 pF capacitor	– –	– 220	2.0 450	ns ps
Receiver timing (see Figs. 6 and 7)						
δ	RXPCLK duty factor		40	50	60	%
t_{DOV}	data output valid time; RXPCLK LOW to RXPdN	valid propagation delay at STM1/OC3, 8-bit	–23.7	–	+21.7	ns
		valid propagation delay at STM1/OC3, 4-bit	–10.9	–	+8.9	ns
		valid propagation delay at STM4/OC12, 8-bit	–4.5	–	+2.5	ns
		valid propagation delay at STM4/OC12, 4-bit	tbF	–	tbF	ns
t_{su}	set-up time RXPdN, FP to RXPCLK RXSD/RXSDQ to RXSCLK/RXSCLKQ		4 400	– –	– –	ns ps
t_h	hold time RXPdN, FP to RXPCLK RXSD/RXSDQ to RXSCLK/RXSCLKQ		2 400	– –	– –	ns ps

SDH/SONET STM1/OC3 and
STM4/OC12 transceiver

TZA3005

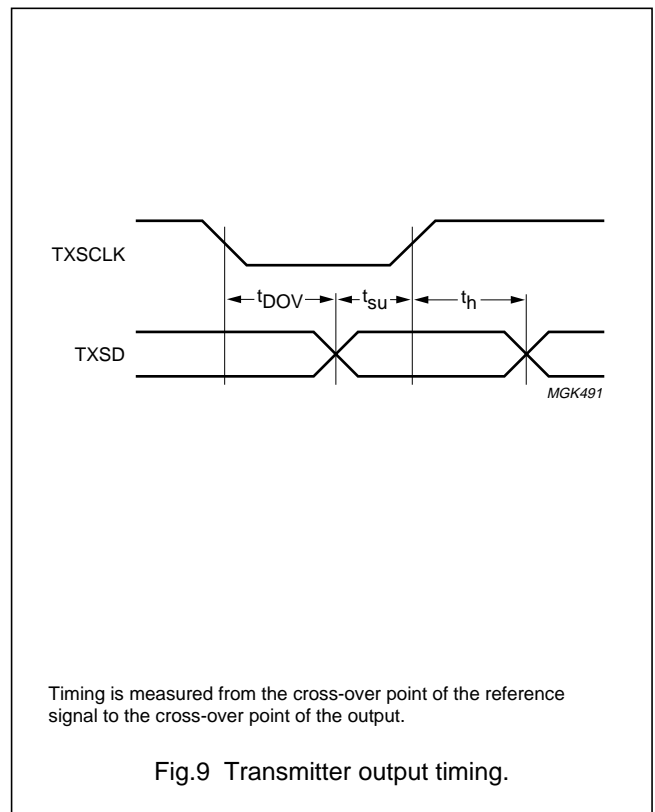
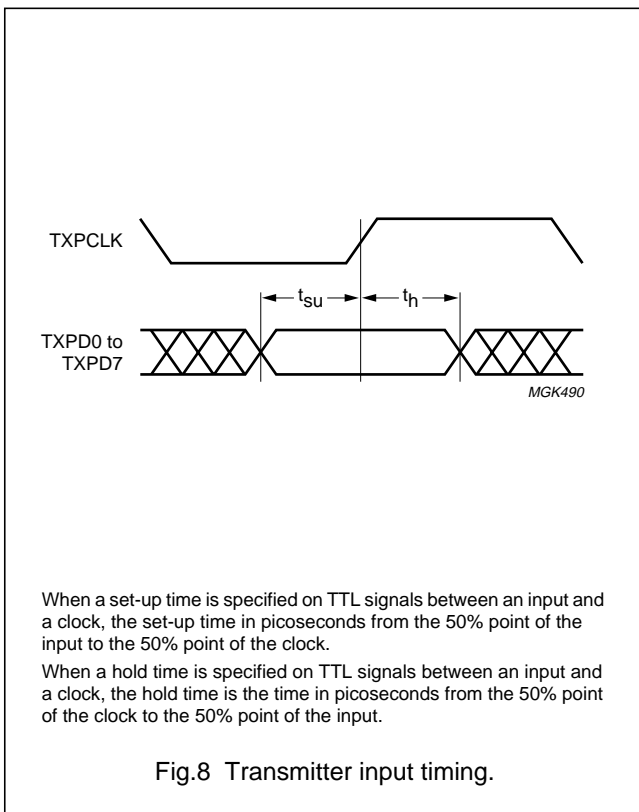
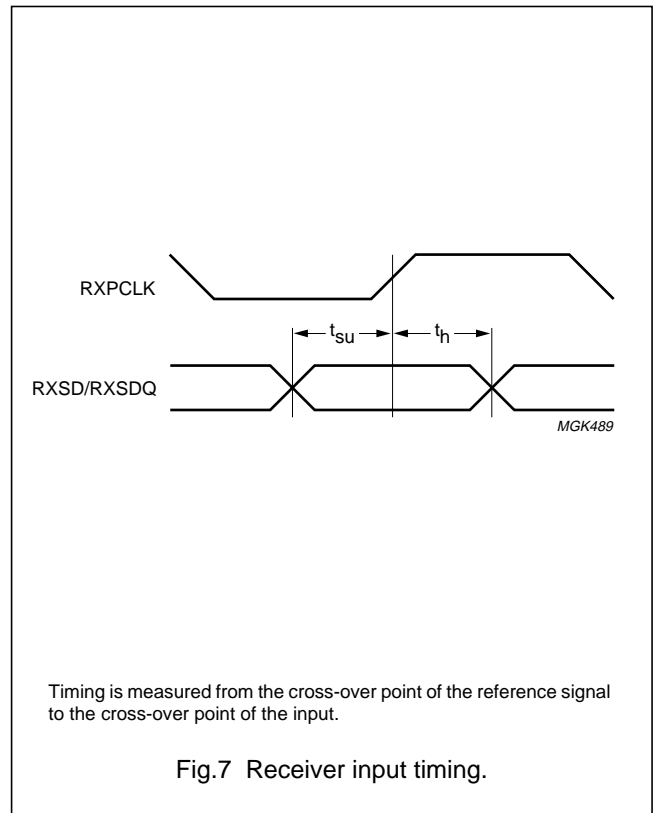
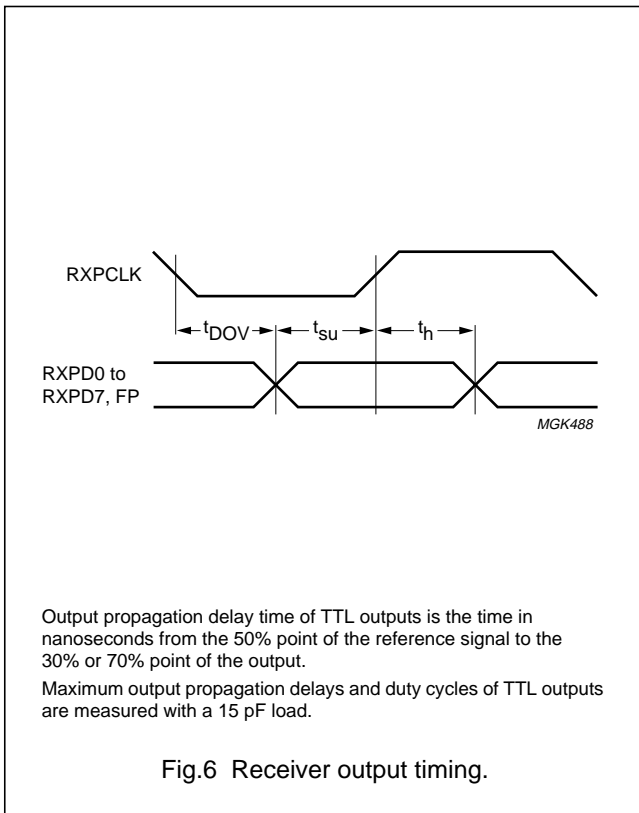
SYMBOL	PARAMETER	CONDITION	MIN.	TYP.	MAX.	UNIT
Transmitter timing (see Figs. 8 and 9)						
f_{clk}	TXSCLK clock frequency (nominal 155.52 or 622.08 MHz)		–	622.08	640	MHz
δ	duty factor					
	TXSCLK		40	50	60	%
	TXPCLK		33	50	67	%
t_{su}	set-up time					
	TXPDn to TXPCLK		1.5	–	–	ns
	TXSD to TXSCLK		400	–	–	ps
t_h	hold time					
	TXPDn to TXPCLK		1.0	–	–	ns
	TXSD to TXSCLK		400	–	–	ps
t_{DOV}	data input valid time	valid propagation delay TXSCLK LOW to TXSD	–	–	440	ps

Note

- Jitter on REFCLK and REFCLKQ should be less than 84 ps (peak-to-peak) for STM4/OC12 operation or 336 ps (peak-to-peak) for STM1/OC3 operation, in a jitter frequency band from 12 kHz to 1 MHz.

SDH/SONET STM1/OC3 and
STM4/OC12 transceiver

TZA3005



SDH/SONET STM1/OC3 and STM4/OC12 transceiver

TZA3005

APPLICATION INFORMATION

It is sometimes necessary to 'forward clock' data in an SDH/SONET system. When this is the case, the parallel data clock and the reference clock from which the high speed serial clock is synthesized will both originate from the same (usually TTL/CMOS) clock source. The following sections explain how to configure the TZA3005 to operated in this mode.

Clock control logic description

The timing control logic in the TZA3005 automatically generates an internal load signal with a fixed relationship to the reference clock. The logic takes into account the variation between the reference clock and the internal load signal over temperature and voltage.

The connections required to implement the design are shown in Fig.10, and the timing specifications are shown in Fig.11. The specified set-up and hold times must be met by the controller ASIC. It is recommended to latch the data on the falling edge of the reference clock in order to satisfy the appropriate specifications.

PECL output termination

The PECL outputs have to be terminated with 50 Ω to VCC – 2.0V. If this voltage is not available, a Thevenin termination can be used as shown in Fig.11.

Reference clock

Reference clock jitter must be minimized to ensure SONET jitter generation specifications are met. It may prove difficult to meet these specifications if a TTL source is used for the reference clock.

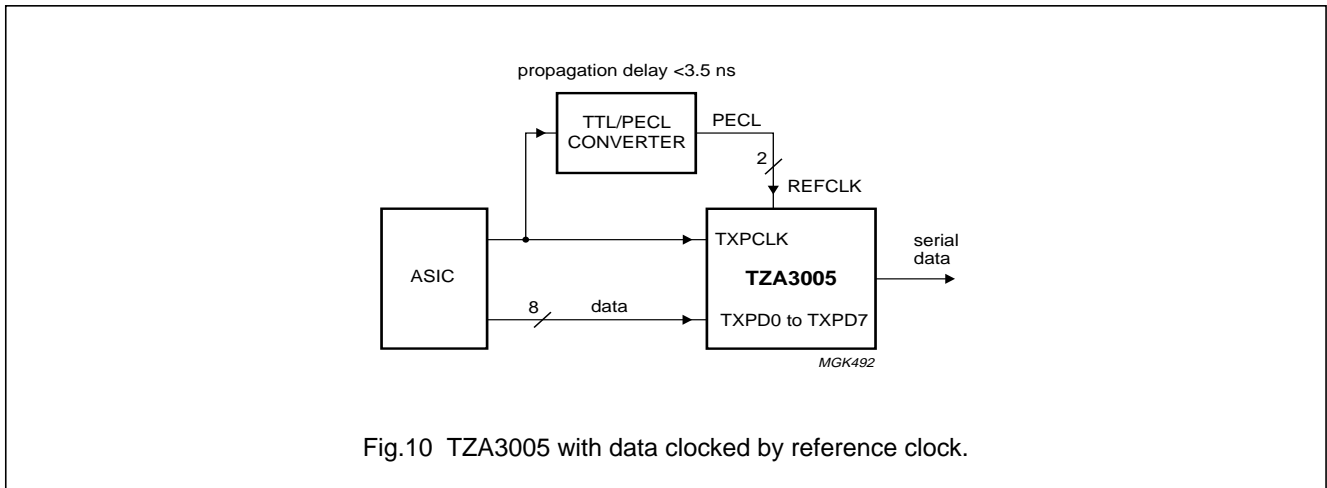


Fig.10 TZA3005 with data clocked by reference clock.

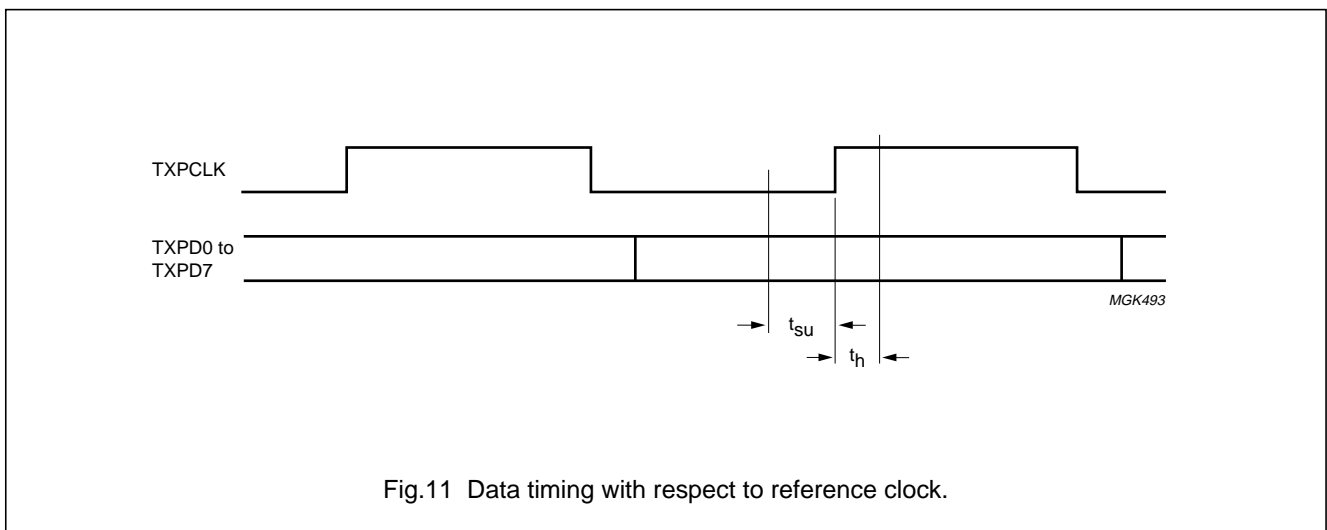


Fig.11 Data timing with respect to reference clock.

SDH/SONET STM1/OC3 and
STM4/OC12 transceiver

TZA3005

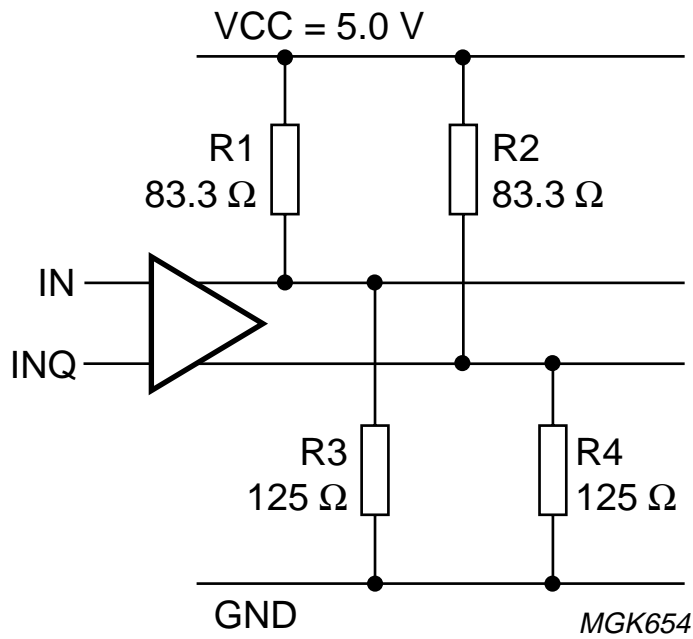


Fig.12 PECL output termination schemes.

SDH/SONET STM1/OC3 and STM4/OC12 transceiver

TZA3005

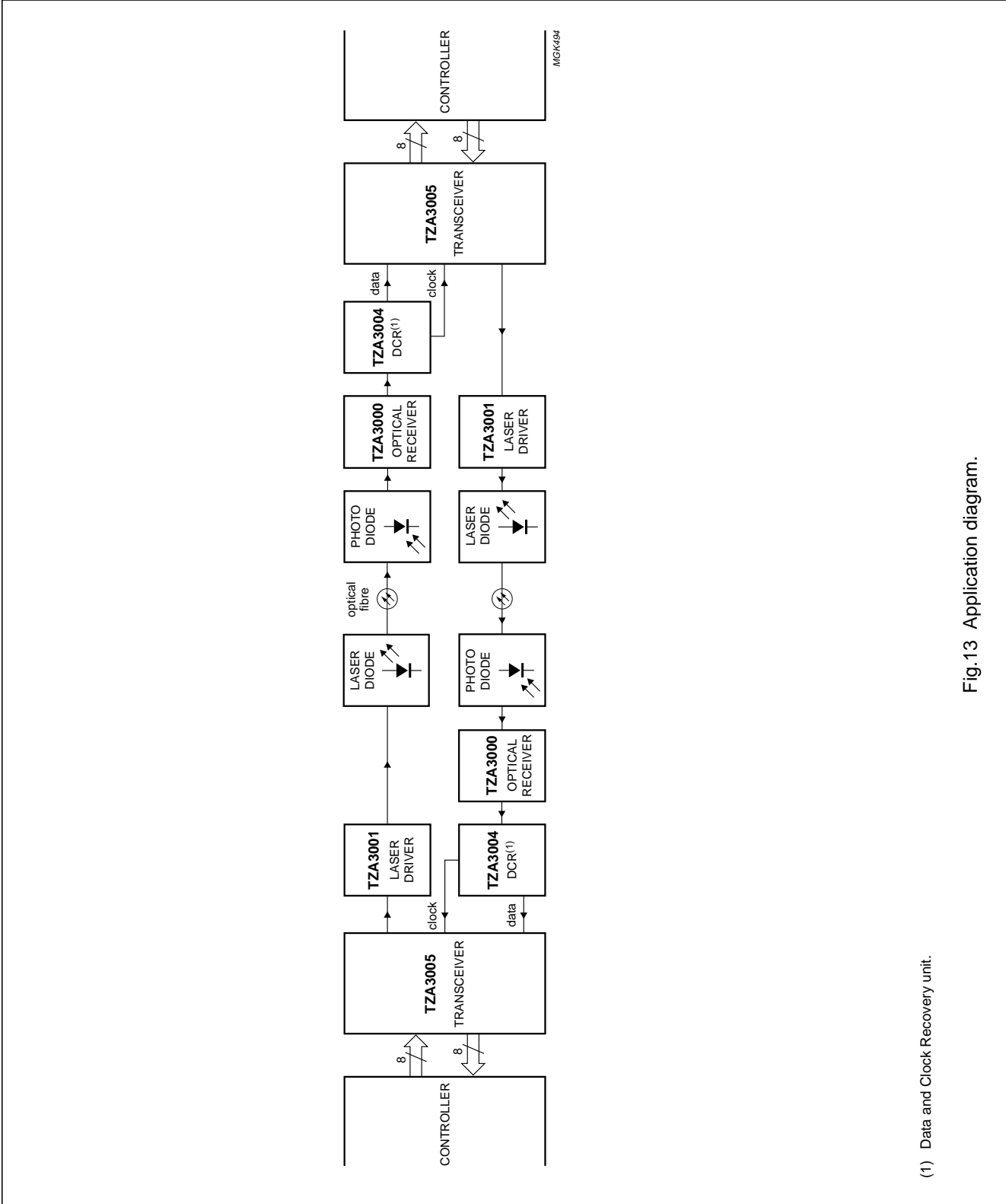


Fig.13 Application diagram.

(1) Data and Clock Recovery unit.

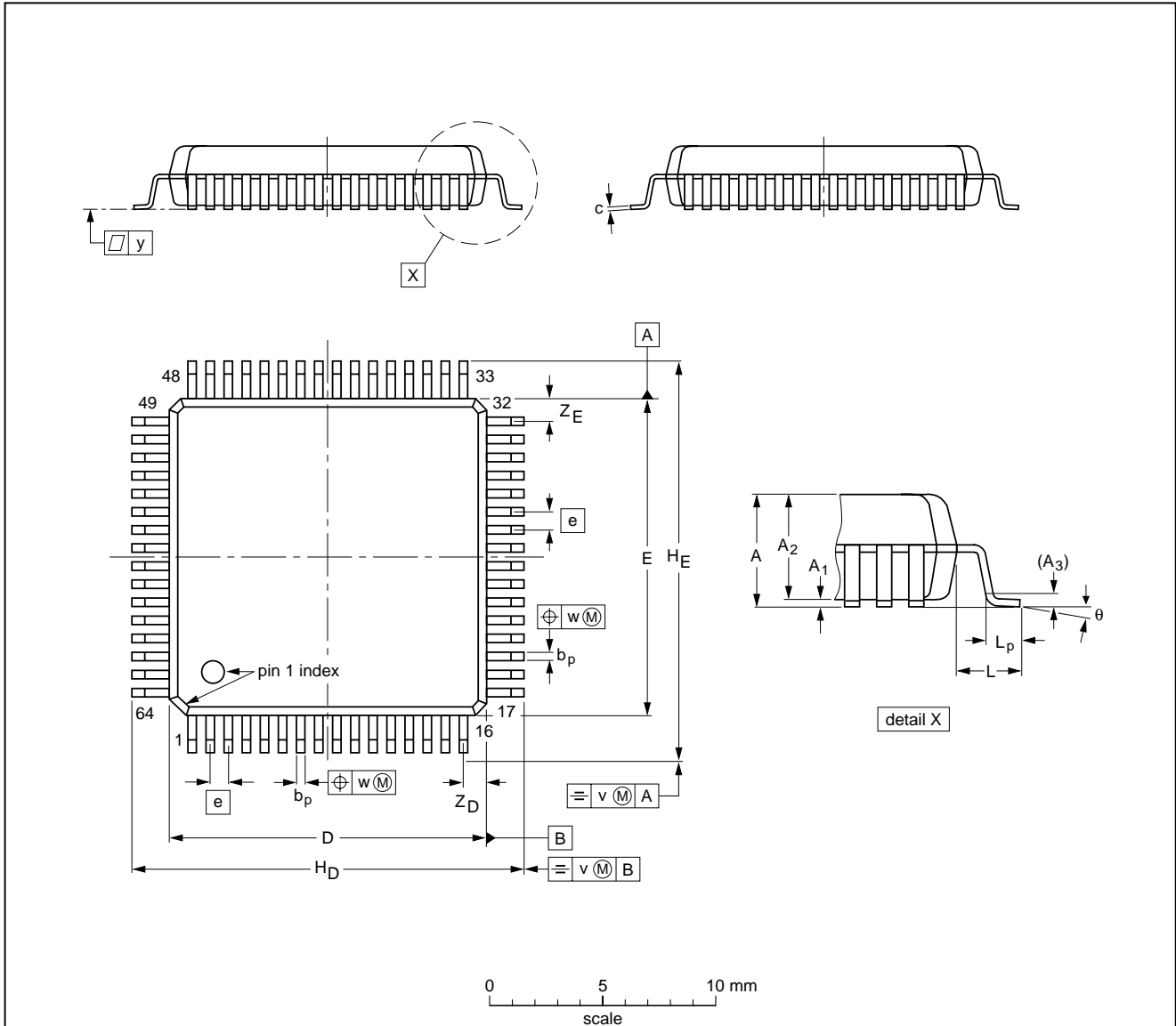
SDH/SONET STM1/OC3 and
STM4/OC12 transceiver

TZA3005

PACKAGE OUTLINE

QFP64: plastic quad flat package; 64 leads (lead length 1.6 mm); body 14 x 14 x 2.7 mm

SOT393-1



DIMENSIONS (mm are the original dimensions)

UNIT	A max.	A ₁	A ₂	A ₃	b _p	c	D ⁽¹⁾	E ⁽¹⁾	e	H _D	H _E	L	L _p	v	w	y	Z _D ⁽¹⁾	Z _E ⁽¹⁾	θ
mm	3.00	0.25 0.10	2.75 2.55	0.25	0.45 0.30	0.23 0.13	14.1 13.9	14.1 13.9	0.8	17.45 16.95	17.45 16.95	1.60	1.03 0.73	0.16	0.16	0.10	1.2 0.8	1.2 0.8	7° 0°

Note

1. Plastic or metal protrusions of 0.25 mm maximum per side are not included.

OUTLINE VERSION	REFERENCES				EUROPEAN PROJECTION	ISSUE DATE
	IEC	JEDEC	EIAJ			
SOT393-1		MS-022				96-05-21 97-08-04

SDH/SONET STM1/OC3 and STM4/OC12 transceiver

TZA3005

SOLDERING

Introduction

There is no soldering method that is ideal for all IC packages. Wave soldering is often preferred when through-hole and surface mounted components are mixed on one printed-circuit board. However, wave soldering is not always suitable for surface mounted ICs, or for printed-circuits with high population densities. In these situations reflow soldering is often used.

This text gives a very brief insight to a complex technology. A more in-depth account of soldering ICs can be found in our "IC Package Databook" (order code 9398 652 90011).

Reflow soldering

Reflow soldering techniques are suitable for all QFP packages.

The choice of heating method may be influenced by larger plastic QFP packages (44 leads, or more). If infrared or vapour phase heating is used and the large packages are not absolutely dry (less than 0.1% moisture content by weight), vaporization of the small amount of moisture in them can cause cracking of the plastic body. For more information, refer to the Drypack chapter in our "Quality Reference Handbook" (order code 9397 750 00192).

Reflow soldering requires solder paste (a suspension of fine solder particles, flux and binding agent) to be applied to the printed-circuit board by screen printing, stencilling or pressure-syringe dispensing before package placement.

Several techniques exist for reflowing; for example, thermal conduction by heated belt. Dwell times vary between 50 and 300 seconds depending on heating method. Typical reflow temperatures range from 215 to 250 °C.

Preheating is necessary to dry the paste and evaporate the binding agent. Preheating duration: 45 minutes at 45 °C.

Wave soldering

Wave soldering is **not** recommended for QFP packages. This is because of the likelihood of solder bridging due to closely-spaced leads and the possibility of incomplete solder penetration in multi-lead devices.

If wave soldering cannot be avoided, the following conditions must be observed:

- **A double-wave (a turbulent wave with high upward pressure followed by a smooth laminar wave) soldering technique should be used.**
- **The footprint must be at an angle of 45° to the board direction and must incorporate solder thieves downstream and at the side corners.**

Even with these conditions, do not consider wave soldering the following packages: QFP52 (SOT379-1), QFP100 (SOT317-1), QFP100 (SOT317-2), QFP100 (SOT382-1) or QFP160 (SOT322-1).

During placement and before soldering, the package must be fixed with a droplet of adhesive. The adhesive can be applied by screen printing, pin transfer or syringe dispensing. The package can be soldered after the adhesive is cured.

Maximum permissible solder temperature is 260 °C, and maximum duration of package immersion in solder is 10 seconds, if cooled to less than 150 °C within 6 seconds. Typical dwell time is 4 seconds at 250 °C.

A mildly-activated flux will eliminate the need for removal of corrosive residues in most applications.

Repairing soldered joints

Fix the component by first soldering two diagonally-opposite end leads. Use only a low voltage soldering iron (less than 24 V) applied to the flat part of the lead. Contact time must be limited to 10 seconds at up to 300 °C. When using a dedicated tool, all other leads can be soldered in one operation within 2 to 5 seconds between 270 and 320 °C.

SDH/SONET STM1/OC3 and
STM4/OC12 transceiver

TZA3005

DEFINITIONS

Data sheet status	
Objective specification	This data sheet contains target or goal specifications for product development.
Preliminary specification	This data sheet contains preliminary data; supplementary data may be published later.
Product specification	This data sheet contains final product specifications.
Limiting values	
Limiting values given are in accordance with the Absolute Maximum Rating System (IEC 134). Stress above one or more of the limiting values may cause permanent damage to the device. These are stress ratings only and operation of the device at these or at any other conditions above those given in the Characteristics sections of the specification is not implied. Exposure to limiting values for extended periods may affect device reliability.	
Application information	
Where application information is given, it is advisory and does not form part of the specification.	

LIFE SUPPORT APPLICATIONS

These products are not designed for use in life support appliances, devices, or systems where malfunction of these products can reasonably be expected to result in personal injury. Philips customers using or selling these products for use in such applications do so at their own risk and agree to fully indemnify Philips for any damages resulting from such improper use or sale.

Philips Semiconductors – a worldwide company

Argentina: see South America

Australia: 34 Waterloo Road, NORTH RYDE, NSW 2113,
Tel. +61 2 9805 4455, Fax. +61 2 9805 4466

Austria: Computerstr. 6, A-1101 WIEN, P.O. Box 213, Tel. +43 160 1010,
Fax. +43 160 101 1210

Belarus: Hotel Minsk Business Center, Bld. 3, r. 1211, Volodarski Str. 6,
220050 MINSK, Tel. +375 172 200 733, Fax. +375 172 200 773

Belgium: see The Netherlands

Brazil: see South America

Bulgaria: Philips Bulgaria Ltd., Energoproject, 15th floor,
51 James Bourchier Blvd., 1407 SOFIA,
Tel. +359 2 689 211, Fax. +359 2 689 102

Canada: PHILIPS SEMICONDUCTORS/COMPONENTS,
Tel. +1 800 234 7381

China/Hong Kong: 501 Hong Kong Industrial Technology Centre,
72 Tat Chee Avenue, Kowloon Tong, HONG KONG,
Tel. +852 2319 7888, Fax. +852 2319 7700

Colombia: see South America

Czech Republic: see Austria

Denmark: Prags Boulevard 80, PB 1919, DK-2300 COPENHAGEN S,
Tel. +45 32 88 2636, Fax. +45 31 57 0044

Finland: Sinikalliontie 3, FIN-02630 ESPOO,
Tel. +358 9 615800, Fax. +358 9 61580920

France: 4 Rue du Port-aux-Vins, BP317, 92156 SURESNES Cedex,
Tel. +33 1 40 99 6161, Fax. +33 1 40 99 6427

Germany: Hammerbrookstraße 69, D-20097 HAMBURG,
Tel. +49 40 23 53 60, Fax. +49 40 23 536 300

Greece: No. 15, 25th March Street, GR 17778 TAVROS/ATHENS,
Tel. +30 1 4894 339/239, Fax. +30 1 4814 240

Hungary: see Austria

India: Philips INDIA Ltd, Band Box Building, 2nd floor,
254-D, Dr. Annie Besant Road, Worli, MUMBAI 400 025,
Tel. +91 22 493 8541, Fax. +91 22 493 0966

Indonesia: see Singapore

Ireland: Newstead, Clonskeagh, DUBLIN 14,
Tel. +353 1 7640 000, Fax. +353 1 7640 200

Israel: RAPAC Electronics, 7 Kehilat Saloniki St, PO Box 18053,
TEL AVIV 61180, Tel. +972 3 645 0444, Fax. +972 3 649 1007

Italy: PHILIPS SEMICONDUCTORS, Piazza IV Novembre 3,
20124 MILANO, Tel. +39 2 6752 2531, Fax. +39 2 6752 2557

Japan: Philips Bldg 13-37, Kohnan 2-chome, Minato-ku, TOKYO 108,
Tel. +81 3 3740 5130, Fax. +81 3 3740 5077

Korea: Philips House, 260-199 Itaewon-dong, Yongsan-ku, SEOUL,
Tel. +82 2 709 1412, Fax. +82 2 709 1415

Malaysia: No. 76 Jalan Universiti, 46200 PETALING JAYA, SELANGOR,
Tel. +60 3 750 5214, Fax. +60 3 757 4880

Mexico: 5900 Gateway East, Suite 200, EL PASO, TEXAS 79905,
Tel. +9-5 800 234 7381

Middle East: see Italy

Netherlands: Postbus 90050, 5600 PB EINDHOVEN, Bldg. VB,
Tel. +31 40 27 82785, Fax. +31 40 27 88399

New Zealand: 2 Wagener Place, C.P.O. Box 1041, AUCKLAND,
Tel. +64 9 849 4160, Fax. +64 9 849 7811

Norway: Box 1, Manglerud 0612, OSLO,
Tel. +47 22 74 8000, Fax. +47 22 74 8341

Philippines: Philips Semiconductors Philippines Inc.,
106 Valero St. Salcedo Village, P.O. Box 2108 MCC, MAKATI,
Metro MANILA, Tel. +63 2 816 6380, Fax. +63 2 817 3474

Poland: Ul. Lukiska 10, PL 04-123 WARSZAWA,
Tel. +48 22 612 2831, Fax. +48 22 612 2327

Portugal: see Spain

Romania: see Italy

Russia: Philips Russia, Ul. Usatcheva 35A, 119048 MOSCOW,
Tel. +7 095 755 6918, Fax. +7 095 755 6919

Singapore: Lorong 1, Toa Payoh, SINGAPORE 1231,
Tel. +65 350 2538, Fax. +65 251 6500

Slovakia: see Austria

Slovenia: see Italy

South Africa: S.A. PHILIPS Pty Ltd., 195-215 Main Road Martindale,
2092 JOHANNESBURG, P.O. Box 7430 Johannesburg 2000,
Tel. +27 11 470 5911, Fax. +27 11 470 5494

South America: Rua do Rocio 220, 5th floor, Suite 51,
04552-903 São Paulo, SÃO PAULO - SP, Brazil,
Tel. +55 11 821 2333, Fax. +55 11 829 1849

Spain: Balmes 22, 08007 BARCELONA,
Tel. +34 3 301 6312, Fax. +34 3 301 4107

Sweden: Kottbygatan 7, Akalla, S-16485 STOCKHOLM,
Tel. +46 8 632 2000, Fax. +46 8 632 2745

Switzerland: Allmendstrasse 140, CH-8027 ZÜRICH,
Tel. +41 1 488 2686, Fax. +41 1 481 7730

Taiwan: Philips Semiconductors, 6F, No. 96, Chien Kuo N. Rd., Sec. 1,
TAIPEI, Taiwan Tel. +886 2 2134 2865, Fax. +886 2 2134 2874

Thailand: PHILIPS ELECTRONICS (THAILAND) Ltd.,
209/2 Sanpavuth-Bangna Road Prakanong, BANGKOK 10260,
Tel. +66 2 745 4090, Fax. +66 2 398 0793

Turkey: Talatpasa Cad. No. 5, 80640 GÜLTEPE/ISTANBUL,
Tel. +90 212 279 2770, Fax. +90 212 282 6707

Ukraine: PHILIPS UKRAINE, 4 Patrice Lumumba str., Building B, Floor 7,
252042 KIEV, Tel. +380 44 264 2776, Fax. +380 44 268 0461

United Kingdom: Philips Semiconductors Ltd., 276 Bath Road, Hayes,
MIDDLESEX UB3 5BX, Tel. +44 181 730 5000, Fax. +44 181 754 8421

United States: 811 East Arques Avenue, SUNNYVALE, CA 94088-3409,
Tel. +1 800 234 7381

Uruguay: see South America

Vietnam: see Singapore

Yugoslavia: PHILIPS, Trg N. Pasica 5/v, 11000 BEOGRAD,
Tel. +381 11 625 344, Fax. +381 11 635 777

For all other countries apply to: Philips Semiconductors, Marketing & Sales Communications,
Building BE-p, P.O. Box 218, 5600 MD EINDHOVEN, The Netherlands, Fax. +31 40 27 24825

Internet: <http://www.semiconductors.philips.com>

© Philips Electronics N.V. 1997

SCA55

All rights are reserved. Reproduction in whole or in part is prohibited without the prior written consent of the copyright owner.

The information presented in this document does not form part of any quotation or contract, is believed to be accurate and reliable and may be changed without notice. No liability will be accepted by the publisher for any consequence of its use. Publication thereof does not convey nor imply any license under patent- or other industrial or intellectual property rights.

Printed in The Netherlands

427027/200/01/pp24

Date of release: 1997 Aug 05

Document order number: 9397 750 01745

Let's make things better.

**Philips
Semiconductors**



PHILIPS